

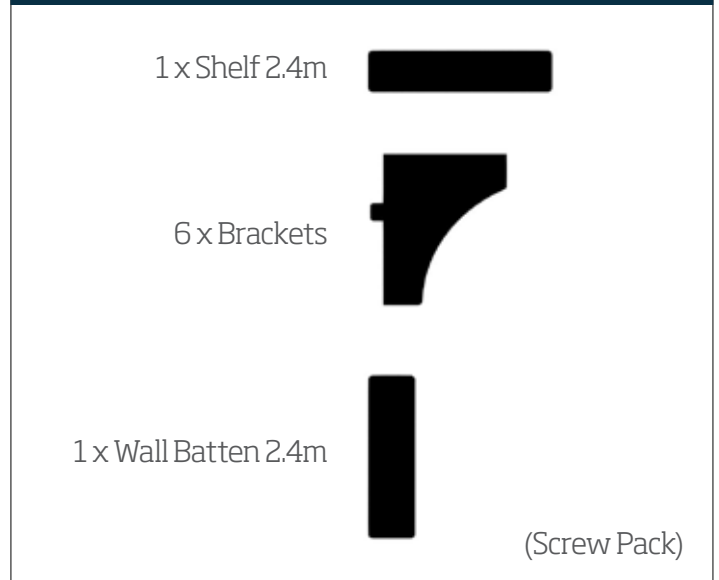
## Primed Picture Rail Shelf

Fitting  
Instructions



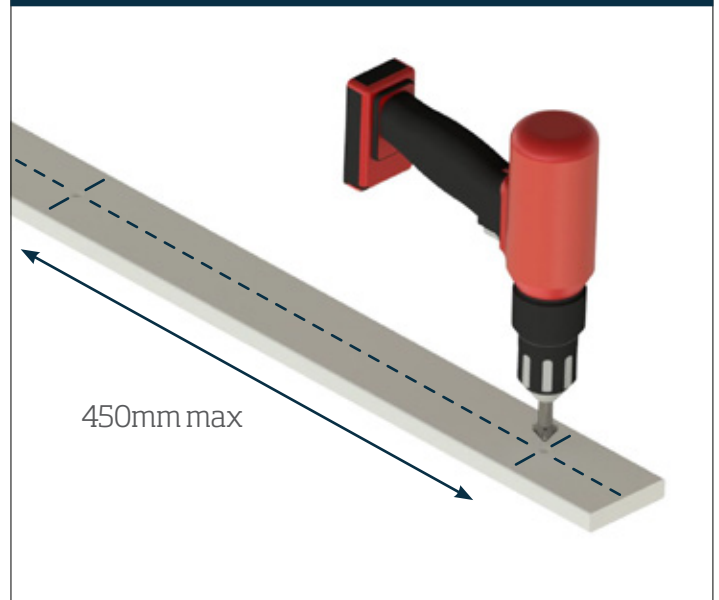
Before installing, please check that all component parts are present (Fig 1).

**Fig.1**



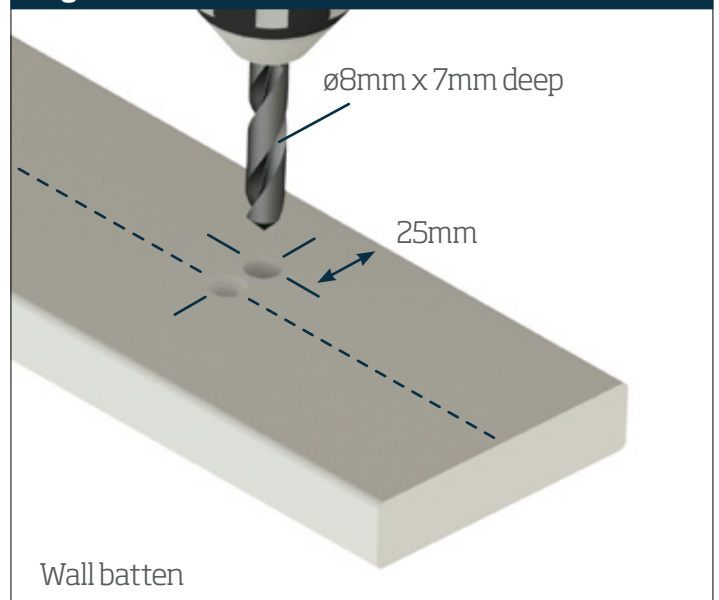
To establish where brackets will be located along wall batten, measure and mark centre line of wall batten and drill a series of  $\varnothing 4.5\text{mm}$  holes along the wall batten at max 450mm centres and countersink the holes (Fig 2).

**Fig.2**

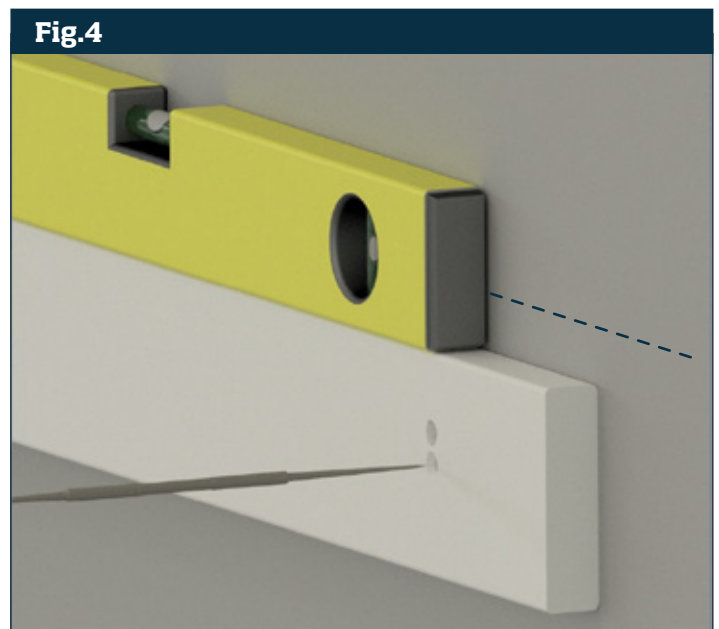


Next, above each previously drilled hole, measure down 25mm from top edge of wall batten and mark. Drill a  $\varnothing 8\text{mm}$  blind hole to a depth of 7mm (Fig 3).

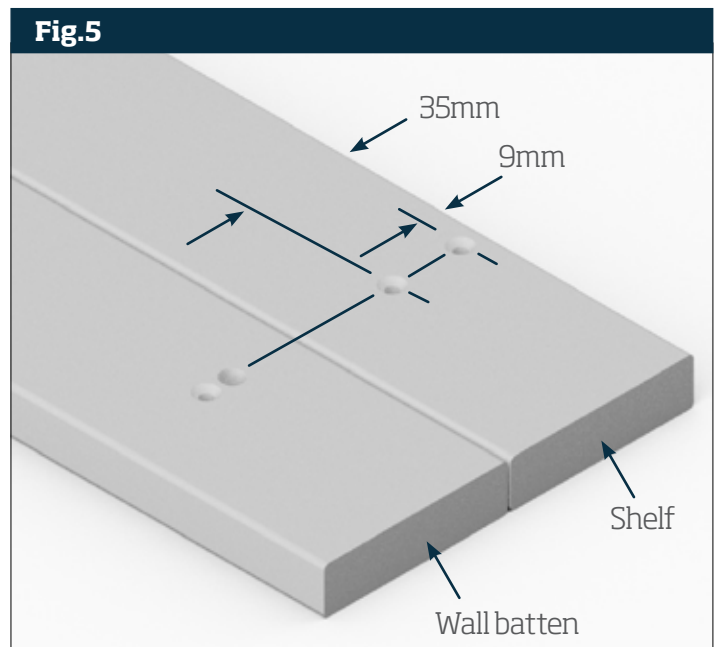
**Fig.3**



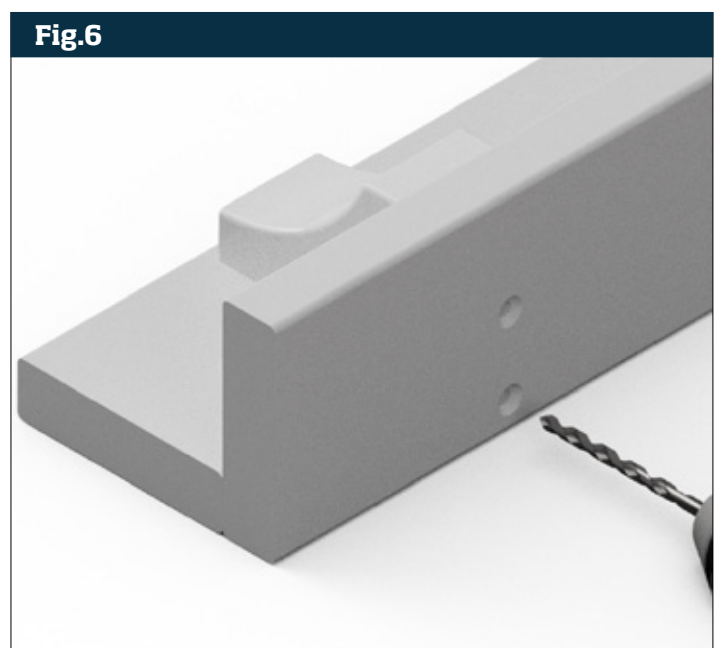
Take wall batten, ensuring  $\varnothing 8\text{mm}$  holes are to the top and offer up to preferred height on wall, allowing 18mm for the top shelf. Check horizontal using a spirit level then mark through each of the previously drilled  $\varnothing 4.5\text{mm}$  holes using a scribe or screw to establish location for wall fixings. Remove wall batten and drill and plug marked points using appropriate plugs to suit wall construction (Fig 4).



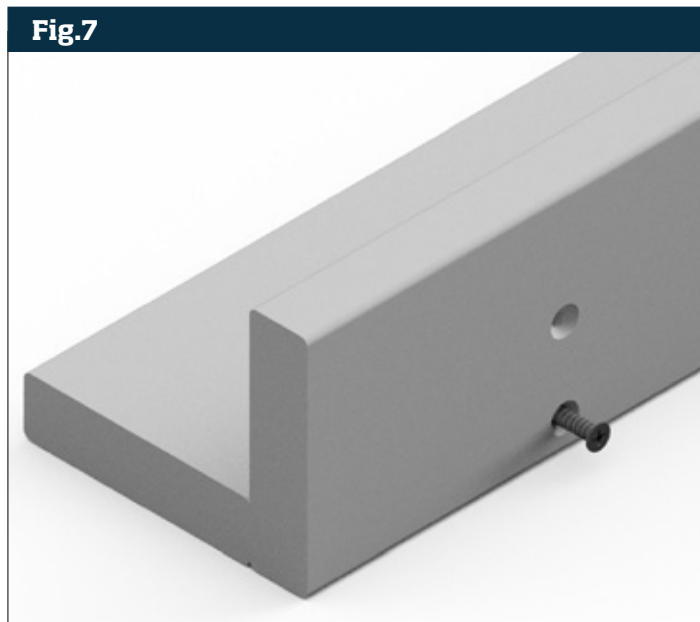
Take shelf and place next to wall batten ensuring that ends are flush. Using a square or straight edge, extend wall batten hole centre locations across to top of shelf. Drill a  $\varnothing 4.5\text{mm}$  countersunk hole through, 9mm from back edge of shelf and another at 35mm from back of shelf (Fig 5).



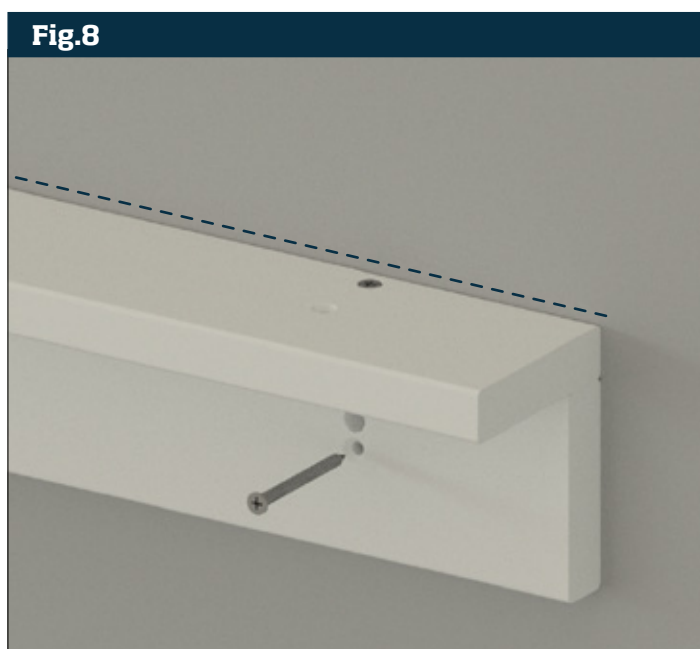
Next, on a flat surface, rotate shelf 90 degrees so the hole countersinks are facing away from wall batten and the hole drilled 9mm away from back edge is aligned with top edge of wall batten (Fig 6). Check ends are flush. Offer bracket into location hole on wall batten. Drill pilot holes through shelf holes into top edge of wall batten and top of each bracket using  $\varnothing 2.5\text{mm}$  drill bit to a total depth of 38mm. Number each bracket in order of location along the board i.e 1, 2, 3 etc to ensure pilot holes will be aligned to each individual bracket.



With all pilot holes drilled, remove all wall brackets. Secure shelf to wall batten using screws supplied (**Fig 7**).



Offer wall batten and shelf assembly to wall at previously marked location and secure to wall using screws supplied (**Fig 8**).



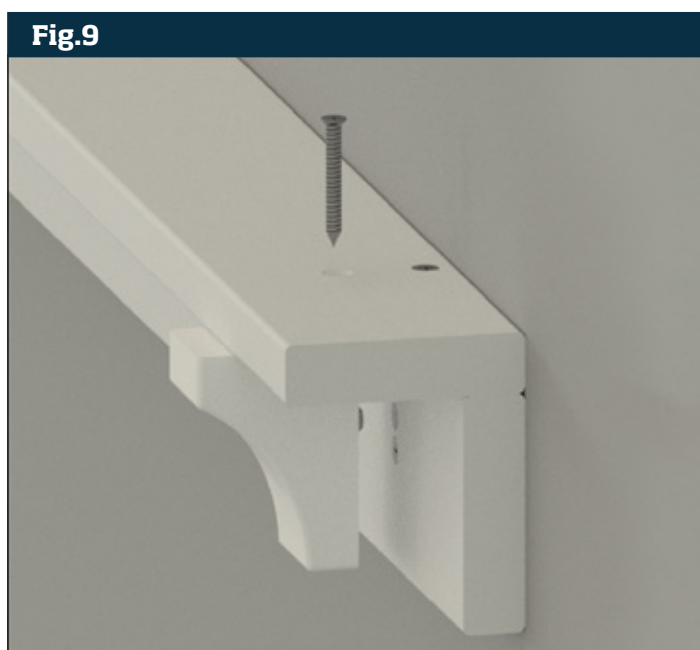
Offer each numbered bracket up to wall batten and shelf ensuring the bracket dowel locates in the 8mm hole. While supporting the bracket, insert screws down through previously drilled holes in shelf to secure (**Fig 9**).

Repeat above procedure for rest of the brackets.

*For straight runs longer than 2.4m, you can join the pieces by either reverse mitre or butt jointing.*

*For internal corner, you can either mitre the corner or butt joint together.*

*For external corners, these will need to be mitred.*







Technical Helpline:  
**Freephone**  
**0800 085 3475**

